

Figure 8. Control Cubicle Assembly and Manual Speed Control (Sheet 1 of 2)

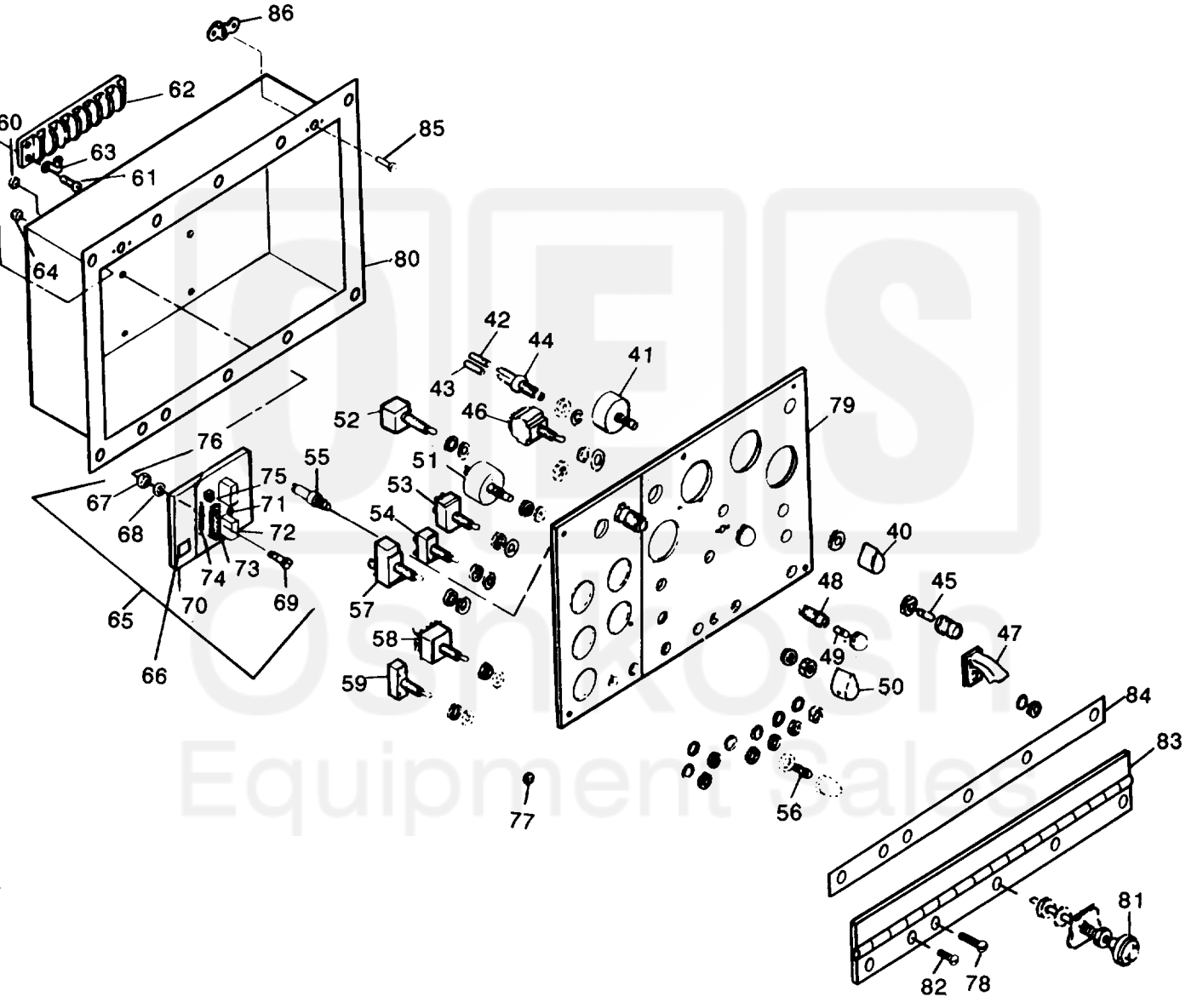
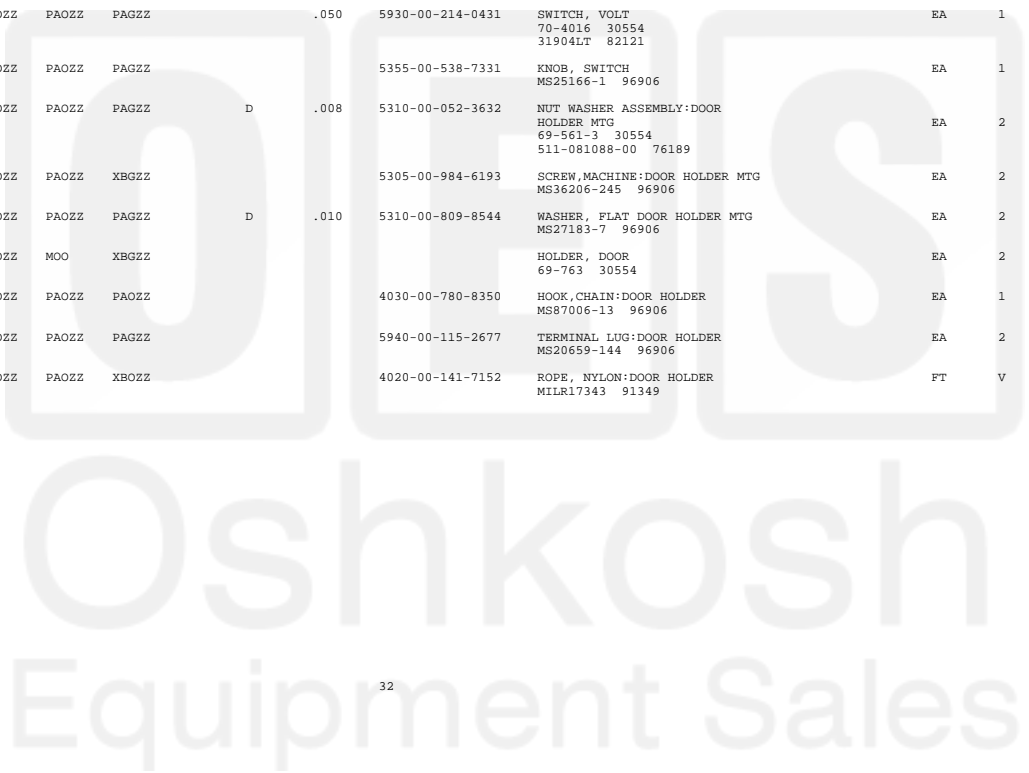


Figure 8. Control Cubicle Assembly and Manual Speed Control (Sheet 2 of 2)

Current part is item (20) on diagram. Available at www.oshkoshequipment.com

(1) FIG. NO.	(2) ITEM NO.	(3) ARMY FORCE	(3) NAVY USMC	(3) SSI	(4) REPL FACTOR	(4) PARTS STOCK NUMBER	(5) REF NUMBER & MFR CODE	(6) USABLE ON CODE	(6) U/M	(7) INC IN UNITS	(8) UOM PER EQUIP
8	13	XAFF	XA	XAHZZ		6625-00-03-0972	TRANSDUCER 69-578 30554 267848 65092	CLE, CLF CZL	EA	1	
8	13	XAFZZ	XA	XAHZZ		6625-00-003-0972	TRANSDUCER 69-579 30554 267838 65092	CLE, DGH CZL	EA	1	
8	14	XAFZZ	XA	XAHZZ		6625-01-084-5882	INDICATOR, FREQUENCY 69-773 30554 267841 65092	CLD, CLF CZL	EA	1	
8	14	XAFZ	XA	XAHZZ	.030	6625-01-084-5882	INDICATOR, FREQUENCY 69-696 30554 267839 65092	CLE, DGH CZL	EA	1	
8	15	PAOZZ	PAOZZ	PBHZZ	.030	6625-00-003-0975	METER, KILOWATT 70-4012 30554 260935 65092		EA	1	
8	16	PAOZZ	PAOZZ	PBHZZ	.030	6625-00-004-8066	METER, CURRENT 69-597 30884 267842 65092	CLD, CLF CZL	EA	1	
8	16	PAOZZ	PAOZZ	PBHZZ	.030	6625-00-081-5840	METER, CURRENT 69-598 30554 254014 65092	CLD, DGH CZL	EA	1	
8	17	PAOZZ	PAOZZ	PBHZZ	.030	6625-00-869-3144	METER, VOLTAGE 69-599 30554 264013 30554		EA	1	
8	18	PAOZZ	XB	XBGZZ	O	.040	6210-00-935-6919	LIGHT, PANEL 69-593 30554 47-0901-2900-201		EA	3
8	19	PAOZZ	PAOZZ	PAOZZ		.160	6240-00155-7878	LAMP, INCANDESCENT 69-594 30554 68630V 08805		EA	3
8	20	PAOZZ	PAOZZ	PAGZZ		.050	5930-00-214-0431	SWITCH, VOLT 70-4016 30554 31904LT 82121		EA	1
8	21	PAOZZ	PAOZZ	PAGZZ			5355-00-538-7331	KNOB, SWITCH MS25166-1 96906		EA	1
8	22	PAOZZ	PAOZZ	PAGZZ	D	.008	5310-00-052-3632	NUT WASHER ASSEMBLY: DOOR HOLDER MTG 69-561-3 30554 511-081088-00 76189		EA	2
8	23	PAOZZ	PAOZZ	XBGZZ			5305-00-984-6193	SCREW, MACHINE: DOOR HOLDER MTG MS36206-245 96906		EA	2
8	24	PAOZZ	PAOZZ	PAGZZ	D	.010	5310-00-809-8544	WASHER, FLAT DOOR HOLDER MTG MS27183-7 96906		EA	2
8	25	XBOZZ	MOO	XBGZZ				HOLDER, DOOR 69-763 30554		EA	2
8	26	PAOZZ	PAOZZ	PAOZZ			4030-00-780-8350	HOOK, CHAIN: DOOR HOLDER MS87006-13 96906		EA	1
8	27	PAOZZ	PAOZZ	PAGZZ			5940-00-115-2677	TERMINAL LUG: DOOR HOLDER MS20659-144 96906		EA	2
8	28	PAOZZ	PAOZZ	XBOZZ			4020-00-141-7152	ROPE, NYLON: DOOR HOLDER MILR17343 91349		FT	V



Current part is item (20) on diagram. Available at www.oshkoshequipment.com